

Actuator

PD63



Features

- ◆ Due to the compact design, PD63 actuator is suitable for the applications with limited installation space such as furniture and home care beds. Its powerful performance also provides low noise level in operation.
- ◆ Main applications : furniture and homecare
- ◆ Input voltage : 12V DC / 24V DC
- ◆ Max. load : 6000N (push) / 4000N (pull)
- ◆ Max. current : 2.8A @ 24V DC
- ◆ Max. speed : 11mm/sec @ no load
- ◆ Stroke : 35~130mm
- ◆ Duty cycle : 10% or 2 min continuous operation in 20 min
- ◆ IP Protection level : IP43
- ◆ Color : Black
- ◆ Noise Level : \leq 53dB
- ◆ Preset limit switches

Product Data Sheet

Options

- ◆ Single Hall Effect Sensor
- ◆ Dual Hall Effect Sensor
- ◆ Push Only

Compatibility

1. Control box

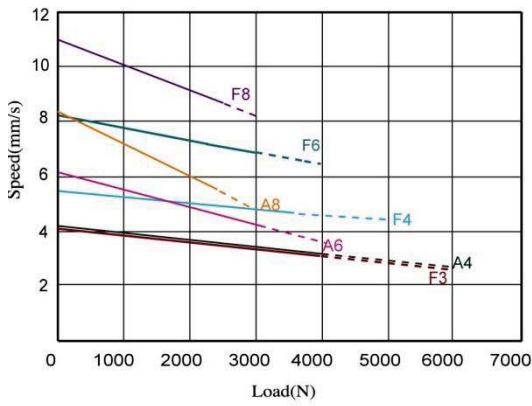
T Control 、 CB3T 、 CB4M 、 CB4G 、 CS1

2. Accessory

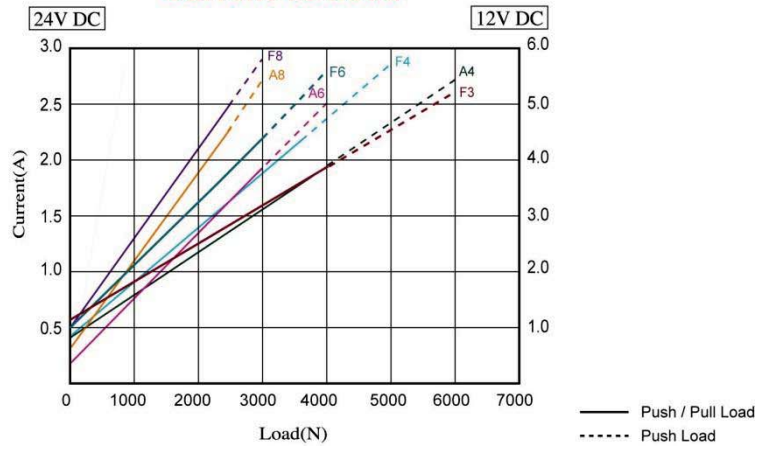
N/A

Performance Data

Speed vs Load

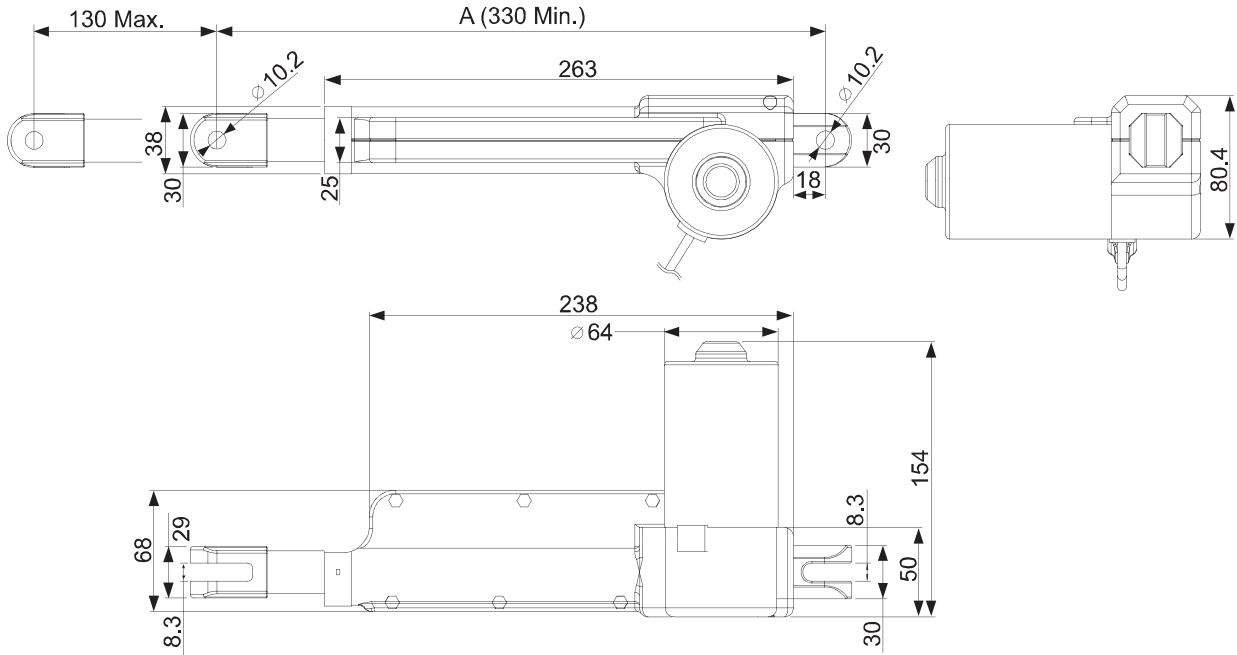


Current vs Load

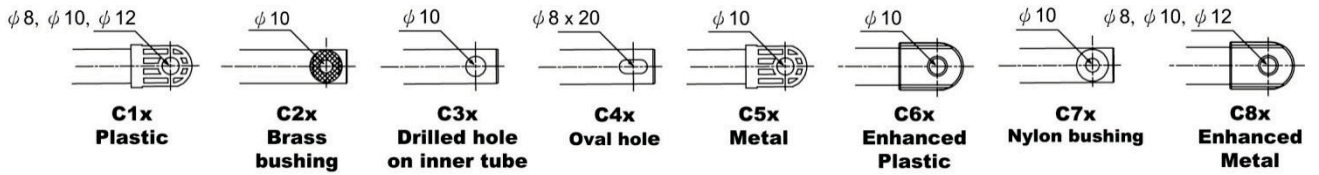


Model No.	Push Max. (N)	Pull Max. (N)	Speed (mm/s)		Current (A)			
			No load	Full load	No load		Full load	
					12V	24V	12V	24V
PD63-XX-F3-XXX.XXX	6000	4000	4.1	2.8	1.2	0.6	5.2	2.6
PD63-XX-A4-XXX.XXX	6000	4000	4.2	2.9	0.8	0.4	5.4	2.7
PD63-XX-F4-XXX.XXX	5000	3500	5.5	4.4	0.8	0.4	5.6	2.8
PD63-XX-A6-XXX.XXX	4000	3000	6.2	3.8	0.4	0.2	5.0	2.5
PD63-XX-F6-XXX.XXX	4000	3000	8.2	6.6	1.0	0.5	5.6	2.8
PD63-XX-A8-XXX.XXX	3000	2500	8.3	5.0	0.6	0.3	5.4	2.7
PD63-XX-F8-XXX.XXX	3000	2500	11.0	8.2	1.0	0.5	5.8	2.9

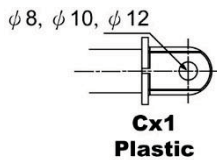
Dimensions



◆ Front Connector



◆ Rear Connector



◆ Available stroke (S) range = 35~130mm

◆ Retracted length (A)

Front connector = C2x, C3x, C4x, C7x \geq stroke + 280mm

Front connector = C1x, C5x, C6x, C8x \geq stroke + 295mm

◆ Extended length (B) = S+A

Ordering Key

