

# LINEAR ACTUATOR

## LD2 series

12/24V DC Motor  
 Max. Load: 1,000N  
 Rated Load: 800N  
 Max. Speed: 10mm/sec  
 Compact and Powerful

**Feature :**  
 Aluminum Extension & Outer Tubes  
 Clevis to Clevis Mounting  
 Stroke: 50, 100, 150, 200, 250, 300mm  
 Duty Cycle: 25%  
 Environment: -26°C~65°C  
 Preset Limit Switches  
 IP43

**Option :**  
 Clamp  
 IP54



Standard



With Universal Rod End

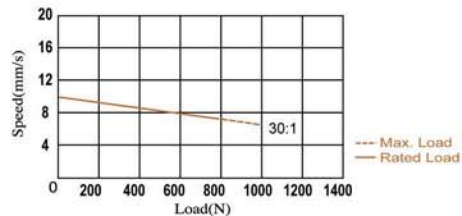


Clamp

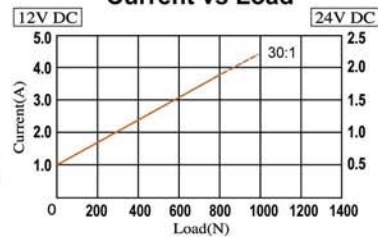
### Model No. Designations:

LD2	• 12	• 30	• 200	• IP54.C2x...
	Voltage 12-12V DC 24-24V DC	Gear Ratio 30-30:1	Stroke 50mm(2") 100mm(4") 150mm(6") 200mm(8") 250mm(10") 300mm(12")	Option IP54 C2x C3x (C2x, C3x: Front Connector)

### Speed vs Load

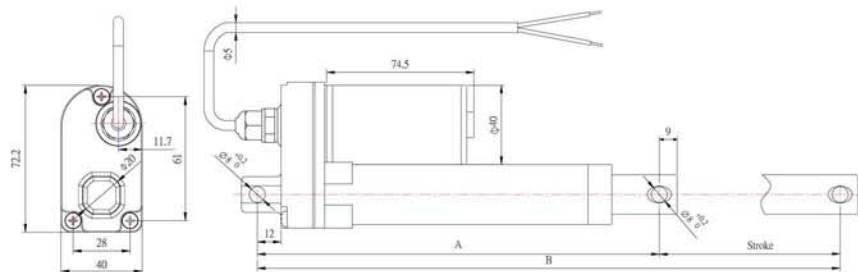


### Current vs Load



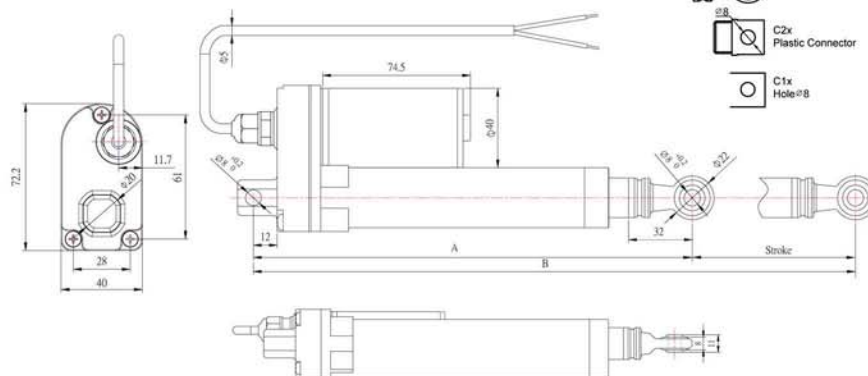
Stroke	50	100	150	200	250	300
Standard(C1x or C2x)	A 159	209	260	311	362	413
	B 209	309	410	511	612	713

A: Retracted Length  
 B: Extended Length  
 Stroke = B - A



Stroke	50	100	150	200	250	300
Universal Rod End(C3x)	A 188	238	288	338	388	438
	B 238	338	438	538	638	738

A: Retracted Length  
 B: Extended Length  
 Stroke = B - A



### Front Connector

