

Actuator

LD10



Features

- ◆ LD10 is in-line design, compact and powerful. This linear and compact design makes LD10 is well suited for use in industrial application where installation space is limited.
- ◆ Main applications : industrial automation
- ◆ Input voltage : 24V DC / 12V DC
- ◆ Max. load : 1000N (push/pull) @ 24V DC
- ◆ Max. current : 3.8A @ 24V DC
- ◆ Max. speed : 18 mm/sec @ no load
- ◆ Stroke : 50~300 mm (other stroke available)
- ◆ Duty cycle : 10% or 2 min continuous operation in 18 min.
- ◆ IP protection level : IPX4
- ◆ Color : Black
- ◆ Noise Level : \leq 65dB
- ◆ Preset limit switches

Options

- ◆ Straight Cable / Spiral Cable
- ◆ Connector: F type Din plug (4pin) / Round and Flat plug (2pin)

Compatibility

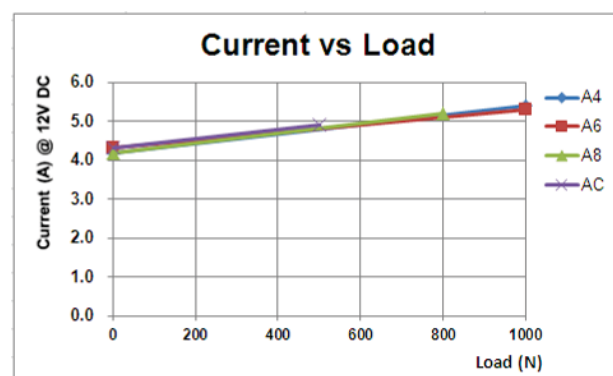
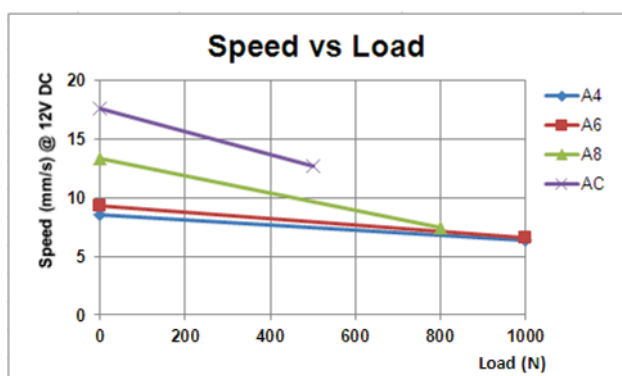
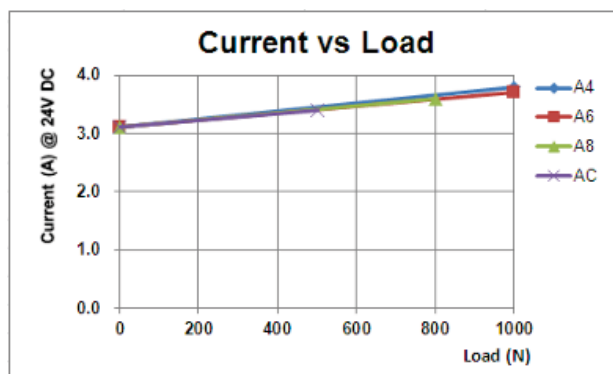
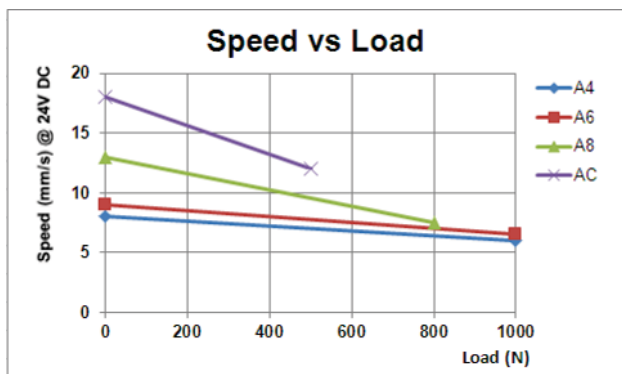
1. Handset

HD, HT, H2N, RF TX

2. Control box

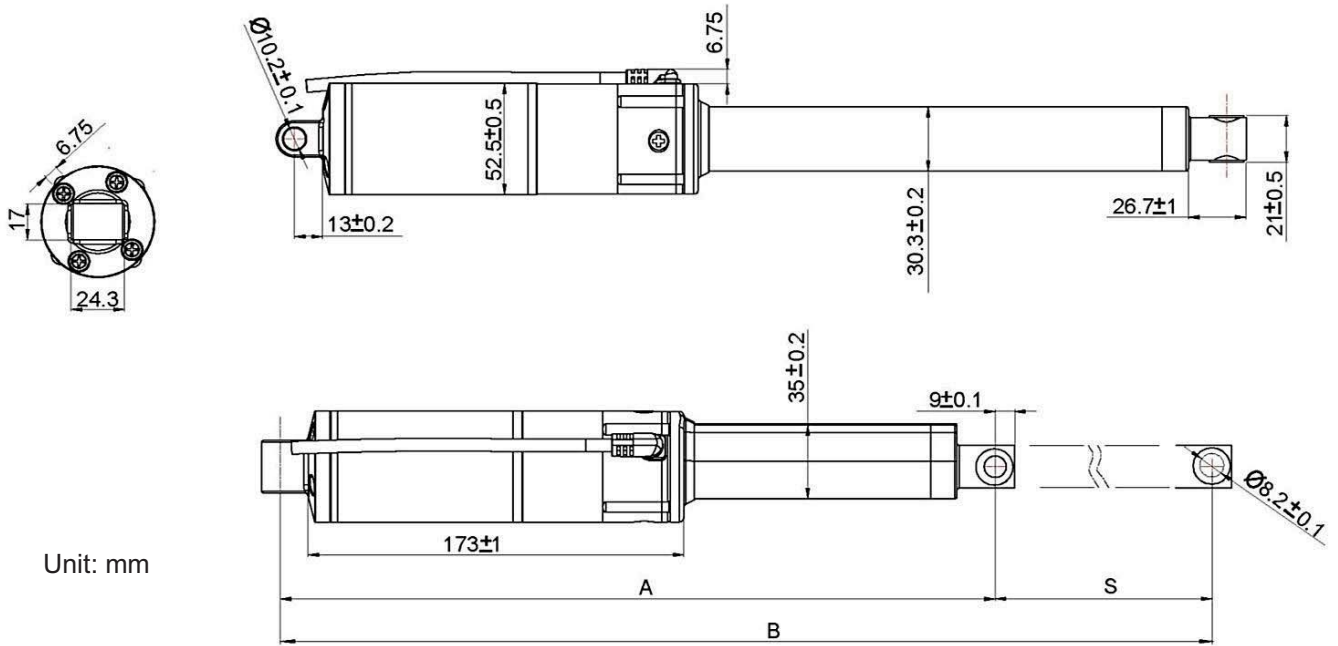
T-control box, CB3T

Performance Data



Model No.	Push Max. (N)	Pull Max. (N)	Speed (mm/s)		Current (A)			
			No load	Full load	No load		Full load	
					12V	24V	12V	24V
LD10-XX-A4-16-XXX.XXX-CXX	1000	1000	8	6	4.2	3.1	5.4	3.8
LD10-XX-A6-16-XXX.XXX-CXX	1000	1000	9	6.5	4.3	3.1	5.3	3.7
LD10-XX-A8-16-XXX.XXX-CXX	800	800	13	7.5	4.2	3.1	5.2	3.6
LD10-XX-AC-16-XXX.XXX-CXX	500	500	18	12	4.3	3.1	4.9	3.4

Dimension



◆ Front Connector



C1x
Plastic



C3x
Round hole



C9x
Universal joint



CAx
Aluminum+
bushing



CBx
Round hole+
bushing

◆ Rear Connector



Cx6
Plastic

- ◆ Available stroke (S) range = 50~300mm

- ◆ Retracted length (A)

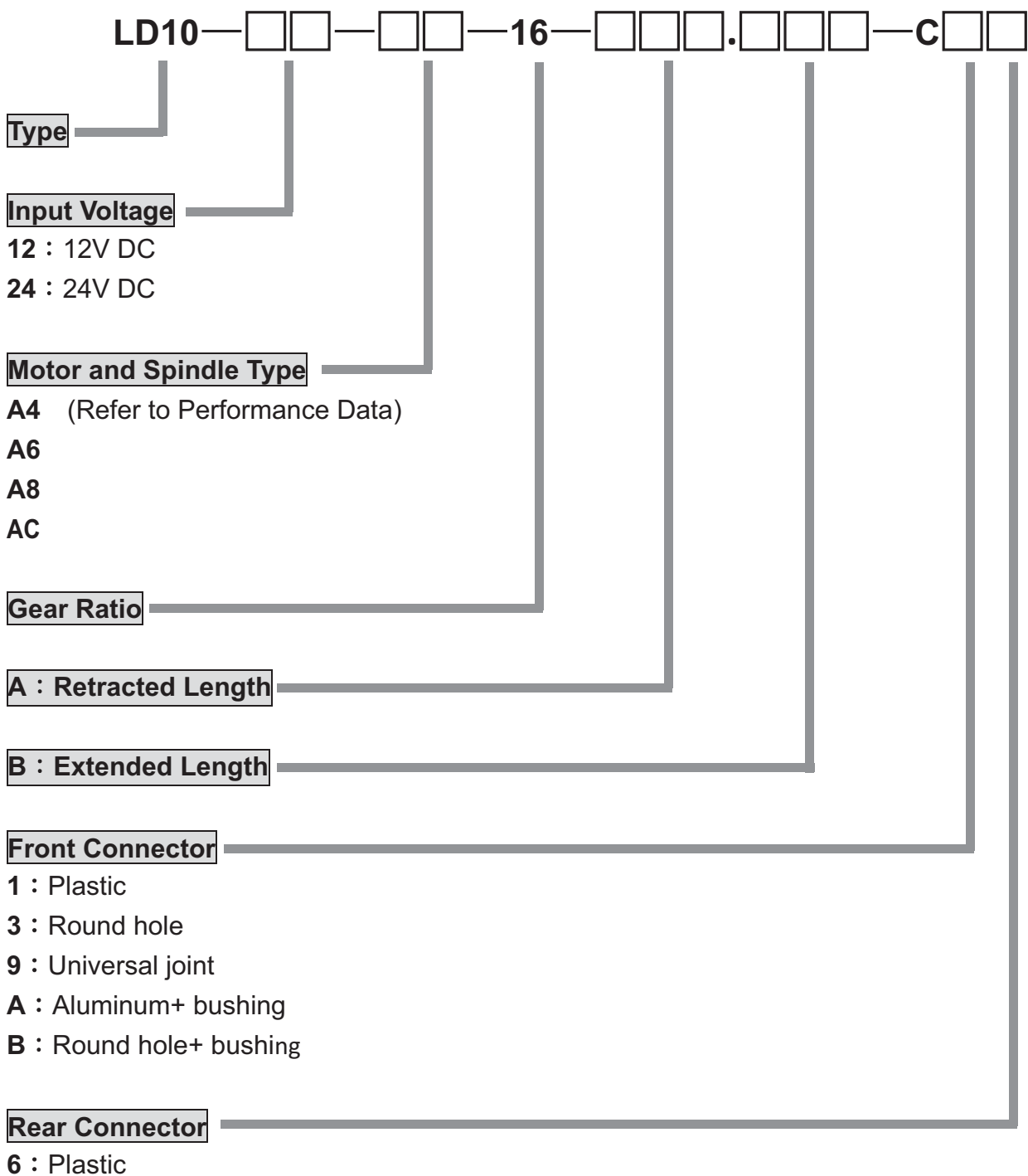
Front connector = C1x, C3x, CBx \geq stroke + 256mm

Front connector = C9x \geq stroke + 282mm

Front connector = CAx \geq stroke + 265mm

- ◆ Extended length (B) = S+A

Ordering Key



北京泰瑞恩商贸有限公司
 Beijing Torion Trading Co.,Ltd.

Tel:13801253818 Fax:010-84067150
 www.torion.cn sales@torion.cn