

Actuator ID11



Features

- ◆ ID11 is a powerful actuator that ideal for various industrial applications, such as agricultural machinery and construction equipment. With the built-in adjustable limit switches on the bottom, users can fine-tune the stroke based on their needs easily after installation. Ball screw or ACME screw threaded spindle is available for users to choose.
- ◆ Main applications : industrial
- ◆ Input voltage : 24V DC / 12V DC
- ◆ Max. rated load : 3,500N (ACME), 7,000N (Ball screw)
- ◆ Max. static load : 4,500N (ACME), 13,600N (Ball screw)
- ◆ Max. current : 17.6 A @ 12V DC
- ◆ Max. speed : 33.5 mm/sec @ no load
- ◆ Stroke : 102~610 mm
- ◆ Duty cycle : 25% or 4 min continuous operation in 16 min.
- ◆ IP protection level : IP54
- ◆ Color : Black
- ◆ Certified : EN61000-6-1, EN61000-6-3
- ◆ Adjustable limit switches

Options

- ◆ IP65
- ◆ Side cable outlet
- ◆ Adjustable limit switches

Compatibility

1. Control Box

CI10, CIS1, CIS2, CIS3

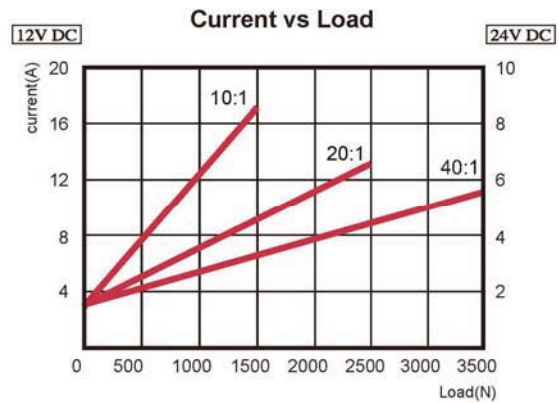
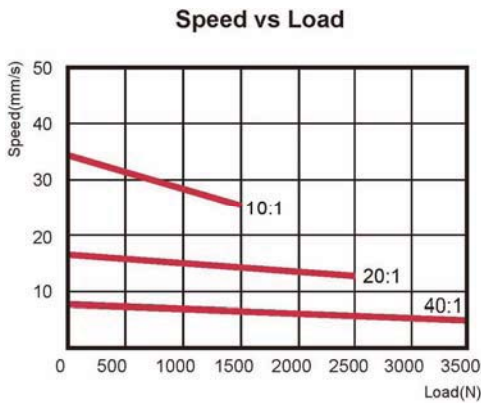
2. Handset

HM6R, XM4H

Performance Data

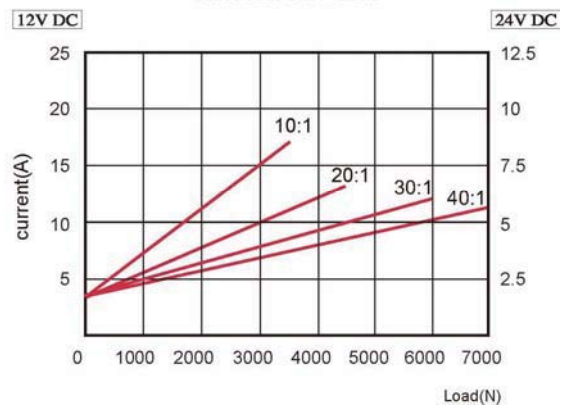
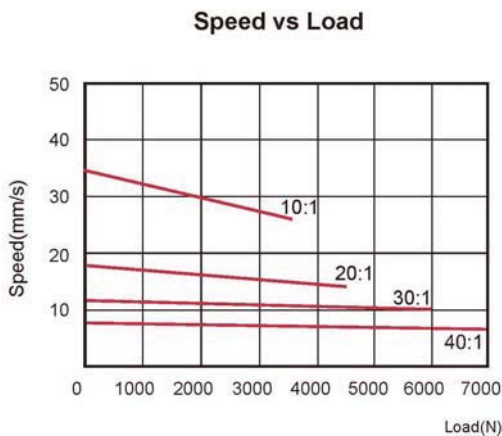
◆ ID11 ACME

Model No.	Push/Pull Max. (N)	Speed (mm/s)		Current (A)			
		No load	Full load	No load		Full load	
				12V	24V	12V	24V
ID11-XX-10-A-XXX	1500	33.5	26.7	3.4	2.2	17.6	8.8
ID11-XX-20-A-XXX	2500	16.8	14.3	3.4	2.2	13.2	6.6
ID11-XX-40-A-XXX	3500	8.4	7.4	3.4	2.2	11	5.5



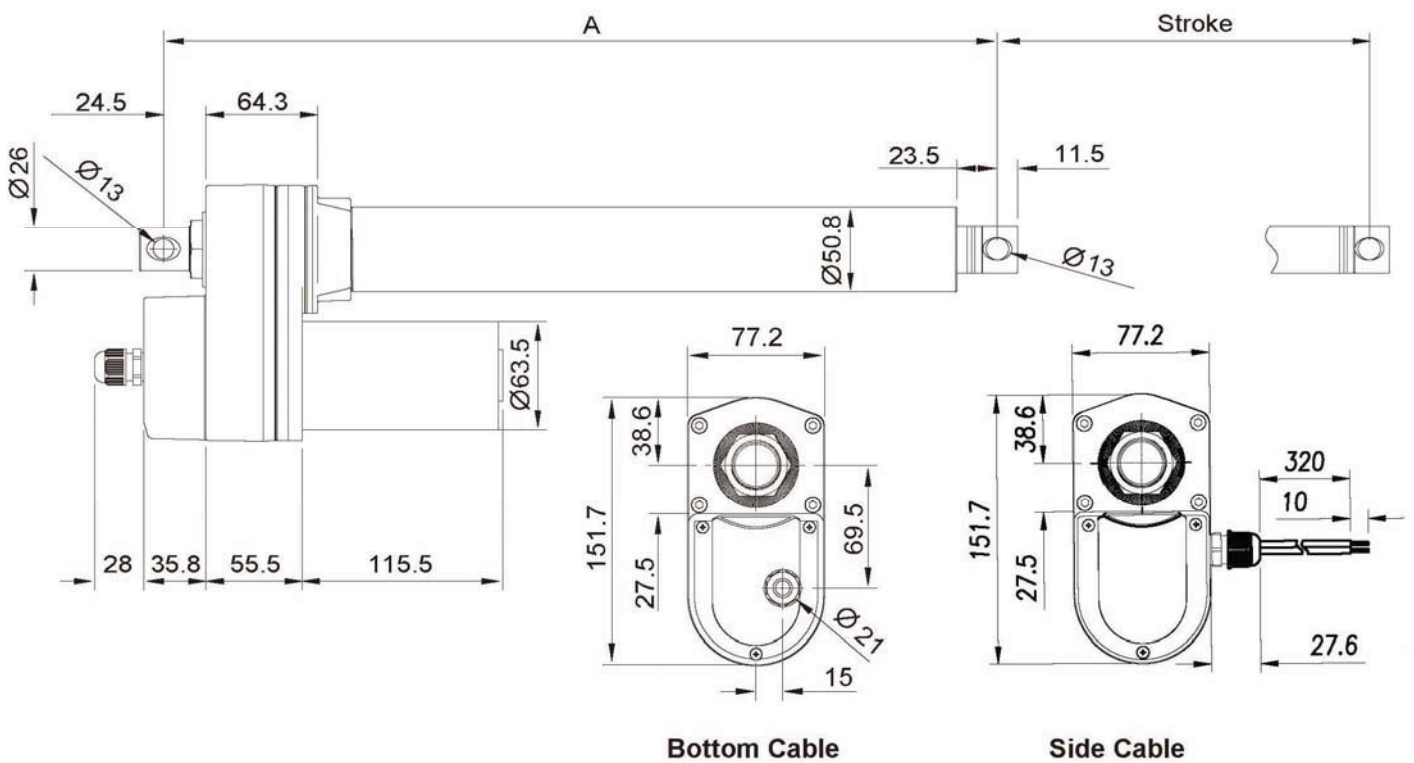
◆ ID11 Ball Screw

Model No.	Push/Pull Max. (N)	Speed (mm/s)		Current (A)			
		No load	Full load	No load		Full load	
				12V	24V	12V	24V
ID11-XX-10-B-XXX	3500	33.5	26.7	3.4	2.2	17.6	8.8
ID11-XX-20-B-XXX	4500	16.8	14.3	3.4	2.2	13.2	6.6
ID11-XX-30-B-XXX	6000	11.2	9.8	3.4	2.2	12.1	6.1
ID11-XX-40-B-XXX	7000	8.4	7.4	3.4	2.2	11.0	5.5



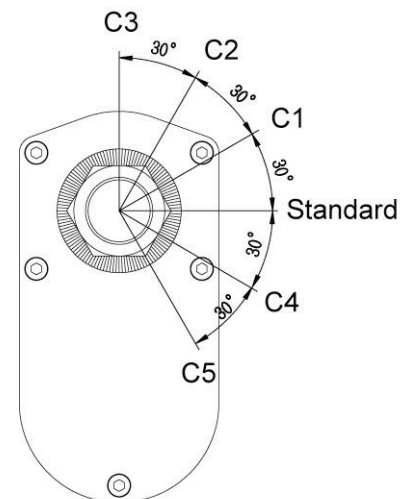
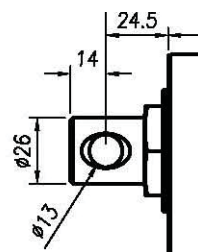
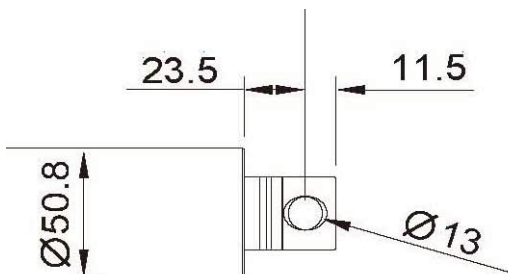
Dimensions

		4"	6"	8"	10"	12"	18"	24"
Stroke	(±5mm)	102	153	203	254	305	457	610
Retracted Length (A±5mm)	ACME	319	370	420	471	573	725	878
	Ball Screw	359	410	461	512	640	792	945



◆ Front connector

◆ Rear connector and the orientation of clevis



Unit: mm

Ordering Key

ID11 — — — — — —

Input Voltage

12 : 12V DC
24 : 24V DC

Gear Ratio

10 : 10:1
20 : 20:1
30 : 30:1 (Ball Screw only)
40 : 40:1

Spindle Type

A : ACME
B : Ball Screw

Stroke

102 : 102mm
153 : 153mm
203 : 203mm
254 : 254mm
305 : 305mm
457 : 457mm
610 : 610mm

Option

Blank : None
IP65 : IP65
SC : Side cable outlet

Rear Clevis Angle

Blank : 0° (Standard)
C1 : 30°
C2 : 60°
C3 : 90°
C4 : -30°
C5 : -60°



北京泰瑞恩商贸有限公司
Beijing Torion Trading Co., Ltd.

Tel:13801253818 Fax:010-84067150
www.torion.cn sales@torion.cn