

Actuator ID10



Features

- ◆ ID10 features its heavy load capability and high speed design, which is suitable for various industrial applications requiring rapid movement, such as agricultural and construction machine. The adjustable limit cam is equipped for users to fine-tune the stroke based on their needs. Ball screw or ACME screw threaded spindle is available for users to choose.
- ◆ Main applications : Industrial
- ◆ Input voltage : 24V DC / 12V DC
- ◆ Max. load : 3,500N (ACME), 7,000N (Ball screw)
- ◆ Static load : 4,500N (ACME), 13,600N (Ball screw)
- ◆ Max. current : 26.4 A @ 12V DC
- ◆ Max. speed : 67.1 mm/sec @ no load
- ◆ Stroke : 102~610 mm
- ◆ Duty cycle : 25% or 4 min. continuous operation in 16 min.
- ◆ IP protection level : IP54
- ◆ Color : Black
- ◆ Certified : RoHS 、 EN61000-6-1 、 EN61000-6-3
- ◆ Overload protection by clutch
- ◆ Power wire length : 250mm (with tinned wires)
- ◆ Operating temperature : -25°C~+65°C

Options

- ◆ IP65
- ◆ Potentiometer, analog positioning feedback
- ◆ Adjustable limit switches
- ◆ Manual drive by hand crank

Compatibility

1. Control Box

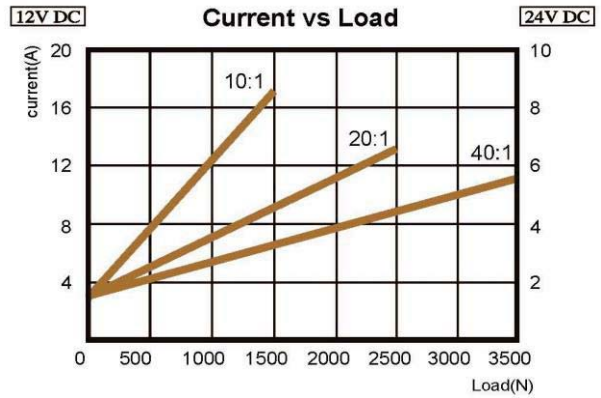
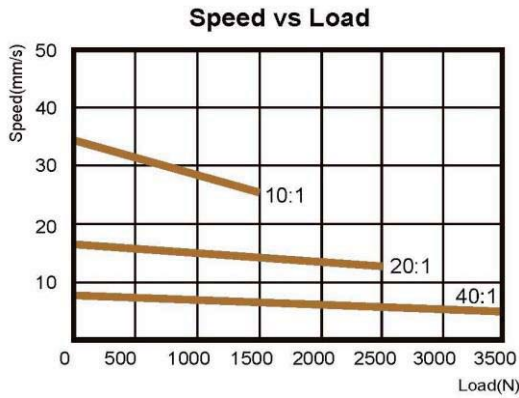
CI10, CIS1, CIS2, CIS3

2. Handset

HM6R, XM4H

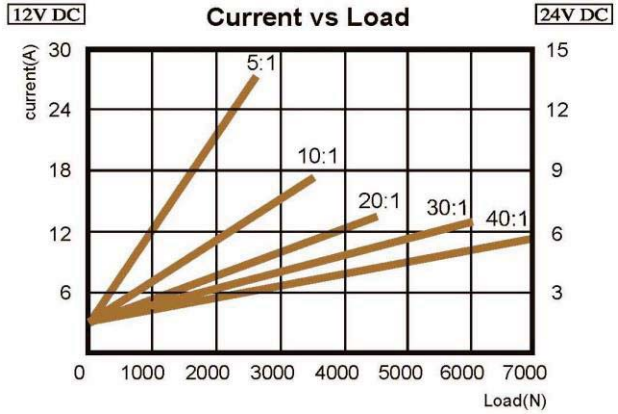
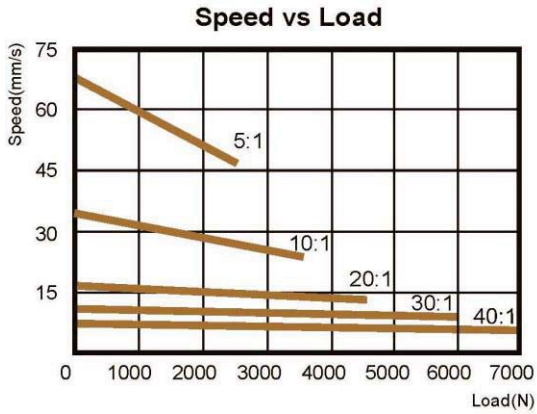
Performance Data

◆ ID10 ACME



Model No.	Push/Pull Max. (N)	Speed (mm/s)		Current (A)			
		No load	Full load	No load		Full load	
				12V	24V	12V	24V
ID10-XX-10-A-XXX	1500	33.5	26.7	3.4	2.2	17.6	8.8
ID10-XX-20-A-XXX	2500	16.8	14.3	3.4	2.2	13.2	6.6
ID10-XX-40-A-XXX	3500	8.4	7.4	3.4	2.2	11.0	5.5

◆ ID10 Ball Screw



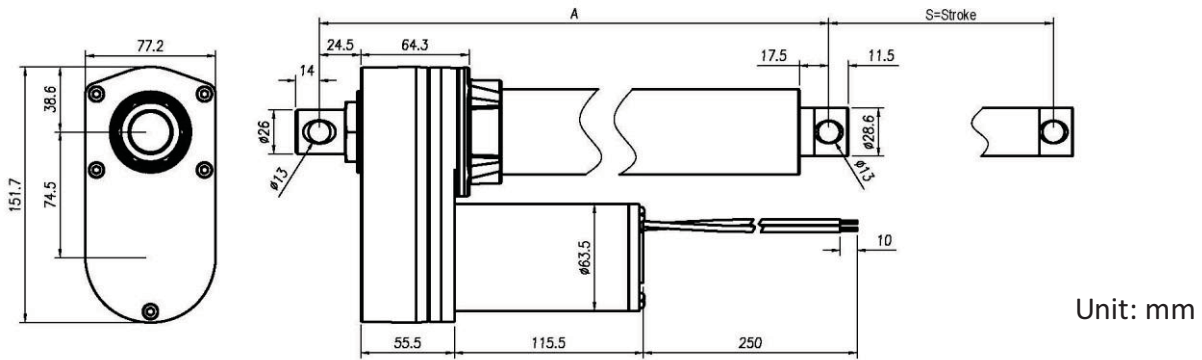
Model No.	Push/Pull Max. (N)	Speed (mm/s)		Current (A)			
		No load	Full load	No load		Full load	
				12V	24V	12V	24V
ID10-XX-05-B-XXX	2500	67.1	47.2	3.4	2.2	26.4	13.2
ID10-XX-10-B-XXX	3500	33.5	26.7	3.4	2.2	17.6	8.8
ID10-XX-20-B-XXX	4500	16.8	14.3	3.4	2.2	13.2	6.6
ID10-XX-30-B-XXX	6000	11.2	9.8	3.4	2.2	12.1	6.1
ID10-XX-40-B-XXX	7000	8.4	7.4	3.4	2.2	11.0	5.5

Dimensions

ID10 ACME

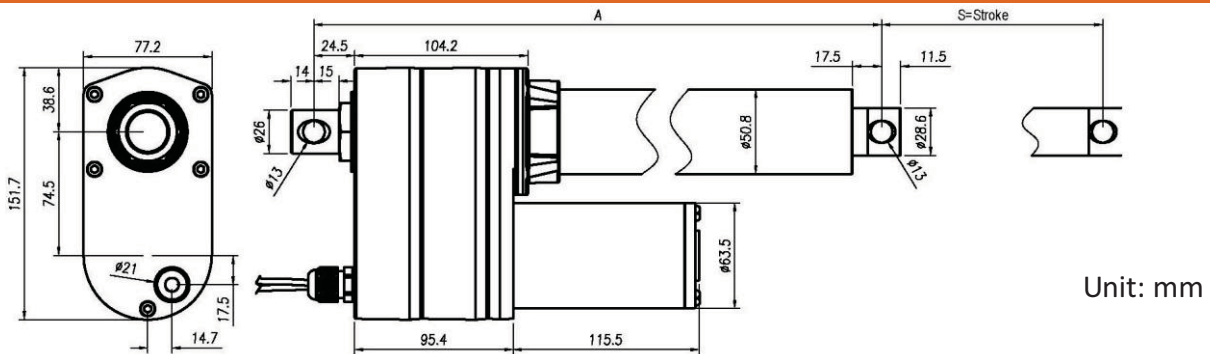
◆ Standard

	4"	6"	8"	10"	12"	18"	24"
Stroke ($\pm 2.5\text{mm}$)	102	153	203	254	305	457	610
Retracted Length ($A \pm 3.8\text{mm}$)	262	313	364	414	465	668	821



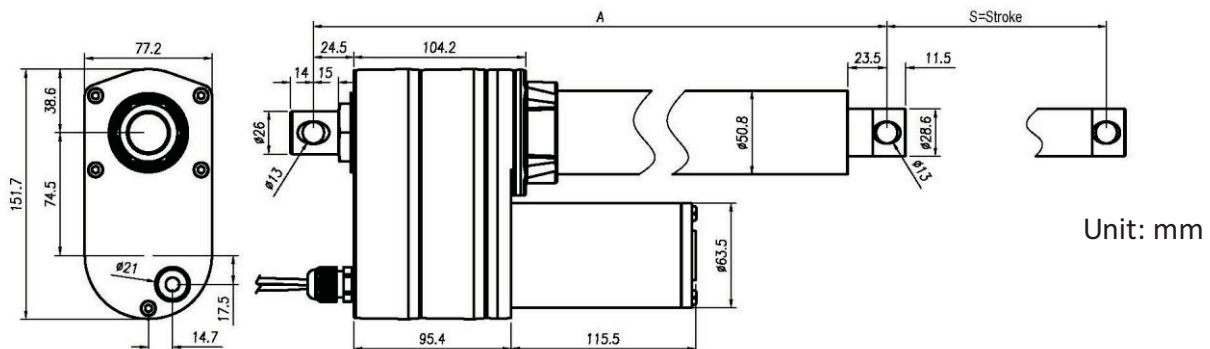
◆ Only Potentiometer(POT)

	4"	6"	8"	10"	12"	18"	24"
Stroke ($\pm 2.5\text{mm}$)	102	153	203	254	305	457	610
Retracted Length ($A \pm 3.8\text{mm}$)	302	353	404	454	505	708	861



◆ Only Limit Switches or Limit Switches and POT

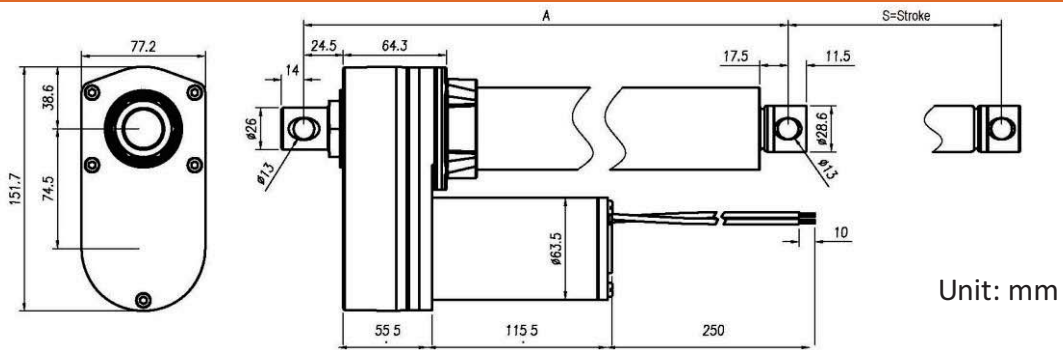
	4"	6"	8"	10"	12"	18"	24"
Stroke ($\pm 2.5\text{mm}$)	102	153	203	254	305	457	610
Retracted Length ($A \pm 3.8\text{mm}$)	359	410	460	511	613	765	918



ID10 Ball Screw

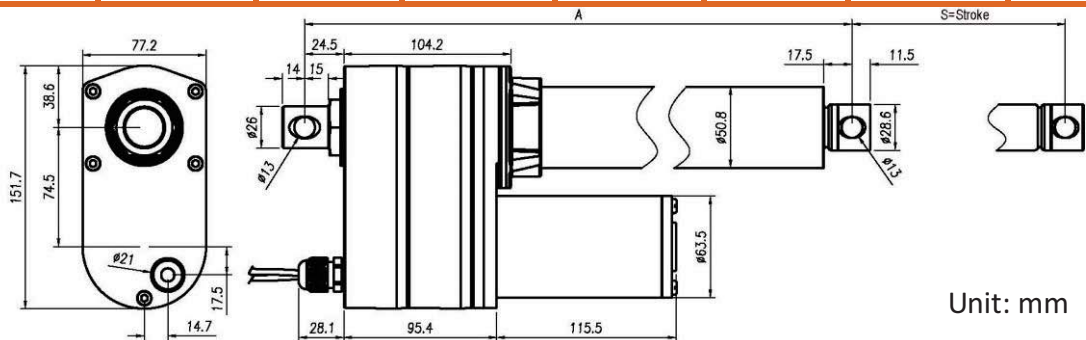
◆ Standard

	4"	6"	8"	10"	12"	18"	24"
Stroke ($\pm 2.5\text{mm}$)	102	153	203	254	305	457	610
Retracted Length ($A \pm 3.8\text{mm}$)	302	353	404	455	506	735	888



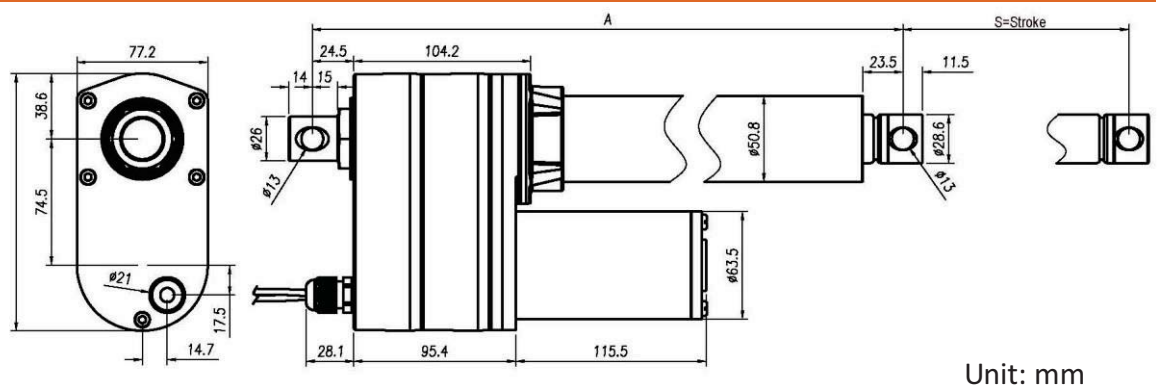
◆ Only Potentiometer(POT)

	4"	6"	8"	10"	12"	18"	24"
Stroke ($\pm 2.5\text{mm}$)	102	153	203	254	305	457	610
Retracted Length ($A \pm 3.8\text{mm}$)	342	393	444	495	546	775	928

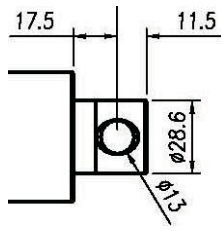


◆ Only Limit Switches or Limit Switches and POT

	4"	6"	8"	10"	12"	18"	24"
Stroke ($\pm 2.5\text{mm}$)	102	153	203	254	305	457	610
Retracted Length ($A \pm 3.8\text{mm}$)	399	450	501	552	680	832	985

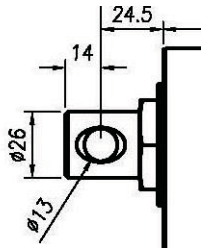


Front connector

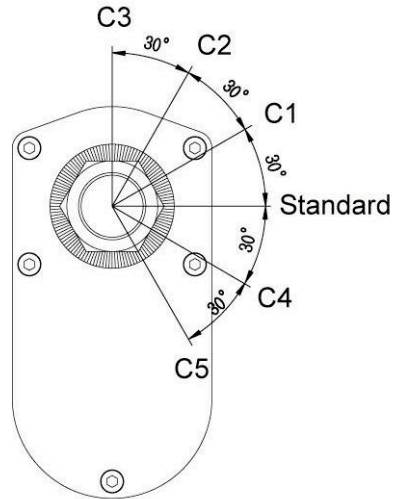


Unit: mm

◆ Rear connector and the orientation of clevis



Unit: mm



Wiring

◆ Please refer to ID10 User Guide.

Ordering Key



Input Voltage

12 : 12V DC
24 : 24V DC

Gear Ratio

05 : 5:1 (Ball screw only)
10 : 10:1
20 : 20:1
30 : 30:1 (Ball screw only)
40 : 40:1

Spindle Type

A : ACME
B : Ball Screw

Stroke

102 : 102mm
153 : 153mm
203 : 203mm
254 : 254mm
305 : 305mm
457 : 457mm
610 : 610mm

Option

LT : Adjustable limit switch
POT : Potentiometer
MD : Manual drive
IP65 : IP65

Rear Clevis Orientation

: 0° Standard (keep it blank)
C1 : 30° CCW
C2 : 60° CCW
C3 : 90° CCW
C4 : 30° CW
C5 : 60° CW