

# Actuator

## FD50



### Features

- ◆ FD50 is a compact and powerful actuator which is well suited for the application with limited installation space. The advantage of low noise level allows FD50 to be used indoor properly. It's special design makes T control box can be attached to it as an integrated part.
- ◆ Main applications : furniture, home care and fitness equipment
- ◆ Input voltage : 24V DC
- ◆ Max. Load : 5000N (push) @ 24V DC
- ◆ Max. current : 2.8A @ 24V DC
- ◆ Max. speed : 10.3 mm/sec @ no load
- ◆ Stroke : 50~300 mm
- ◆ Duty cycle : 10% or 2 min. continuous operation in 20 min.
- ◆ IP Protection level : IP43
- ◆ Color : Black
- ◆ Noise Level :  $\leq$  50dB
- ◆ Preset limit switches

# Options

- ◆ Hall effect sensor
- ◆ Push only
- ◆ Spiral cable

# Compatibility

## 1. Control box

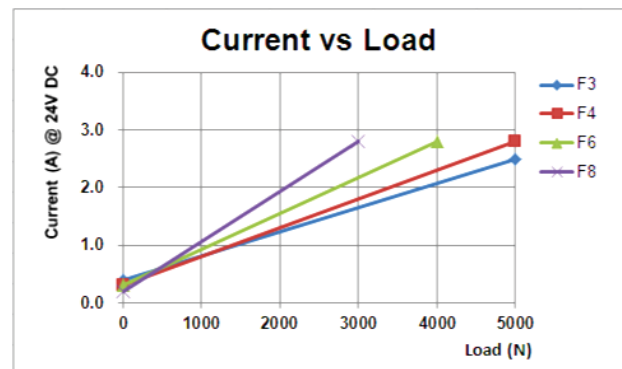
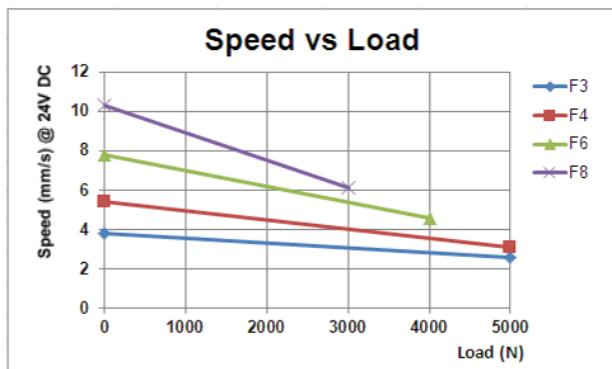
T-control box, CB3T, CB4M

## 2. Handset

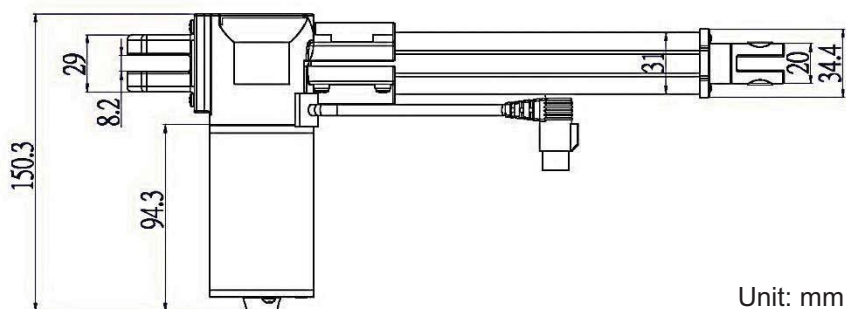
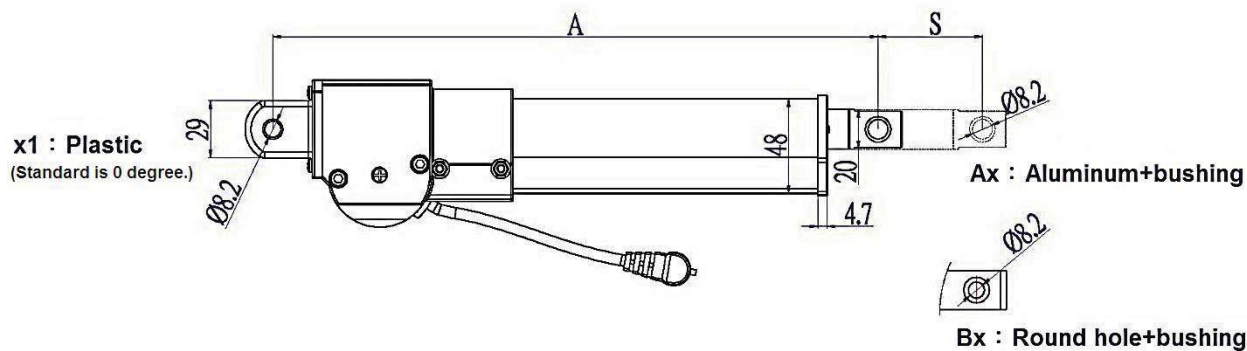
HD, HT, H2N, RF TX, HC, HJ, HM, H3F, HF, H3T, HR, HDU, FS1, FS2

# Performance Data

Model No.	Max. Push Load (N)	Speed (mm/s)		Current (A)	
		No load	Full load	No load	Full load
FD50-24F3-XXX.XXX-XXXXXXXX	5000	3.8	2.6	0.4	2.5
FD50-24F4-XXX.XXX-XXXXXXXX	5000	5.4	3.1	0.3	2.8
FD50-24F6-XXX.XXX-XXXXXXXX	4000	7.8	4.6	0.3	2.8
FD50-24F8-XXX.XXX-XXXXXXXX	3000	10.3	6.1	0.2	2.8



# Dimension



Model No.	Retracted Length (A)
FD50-24XX-XXX.XXX-Axxxxxx	$A \geq S+170\text{mm}$
FD50-24XX-XXX.XXX-Bxxxxxx	$A \geq S+155\text{mm}$

## ◆ Front Connector



**A**

**Aluminum+  
bushing**



**B**

**Round hole+  
bushing**

## ◆ Rear Connector



**Plastic**

# Ordering Key

FD50—24□□—□□□.□□□—□□□□□□□□

## Input Voltage

24 : 24V DC

## Motor and Spindle Type

F3 (Refer to Performance Data)

F4

F6

F8

## A : Retracted Length (mm)

## B : Extended Length (mm)

## Front Connector

A : Aluminum+ bushing, φ 8mm

B : Round hole+ bushing, φ 8mm

## Rear Connector

(Plastic, φ 8mm)

1 : 0° (standard)

9 : 90°

## Safety Options

0 : None

P : Push only

## Positioning Feedback

0 : None

1 : One Hall sensor

2 : Two Hall sensors

## Color

B : Black

Z : Customized

## IP Level

3 : IP43

## Cable & Plug

### DIN Plug (4pin/6pin)

1 : Straight cable 300mm

2 : Straight cable 1000mm

3 : Spiral cable 300mm / Total 450mm

Z : Customized

### DIN 41529 loudspeaker plug (2pin)

A : Straight cable 300mm

B : Straight cable 1000mm

C : Spiral cable 300mm / Total 450mm



北京泰瑞恩商贸有限公司  
Beijing Torion Trading Co.,Ltd.

Tel:13801253818 Fax:010-84067150  
www.torion.cn sales@torion.cn