

9000G SERIES

WATER, STEAM & HOT OIL
HIGH TEMPERATURE



Operating Parameters

MEDIA

Steam, Hot Oil, Water

PRESSURE*

250 PSI (Water), 175 PSI (Steam),
100 PSI (Hot Oil)

TEMPERATURE*

600° F (Hot Oil), 378° F (Steam)

SPEED*

700 RPM

THREADS

- 1/4" to 3" NPT
- BSP Threads Available
- Flanged

MATERIAL

- Cast Iron Housing with Stainless Steel or Plated Sleeve
- Steel Shaft

CONFIGURATION OPTIONS

Mono Flow & Dual Flow Configurations Available

* See Performance Charts For Details

Features & Benefits

Superior Sealing Performance

Bellows Sealing System provides superior sealing performance throughout the wear life of the Rotary Union.

Designed For Dirty Media Applications

Debris in contaminated media will not be captured in the Bellows Sealing System, which reduces clogging.

Maintenance Free

The 9000G is maintenance free because there is no rolling element bearing, therefore no lubrication is required.

High Temperature Applications

Offers the same design as the standard 9000 Series, but utilizes carbon graphite bearings for high temperature applications.

Ideal For High Temperatures

The thrust collar allows for thermal expansion, making this an ideal union for high temperature, general purpose applications.

Flanged Mounted Units Available

Consult Factory.

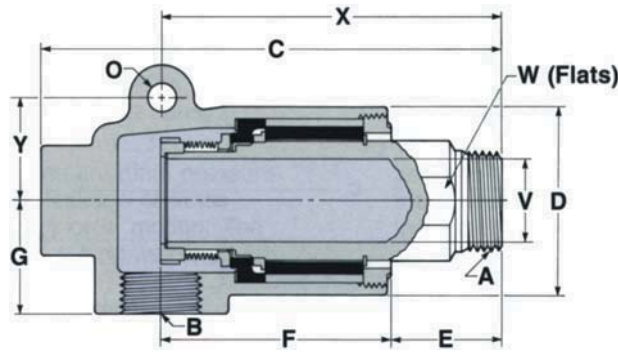
9000G SERIES HIGH TEMPERATURE ROTARY UNIONS • MONO FLOW

PART NUMBERS	Nominal Pipe Size	Shaft Thread (A)	Right Hand Thread			Left Hand Thread		
			Part Number	Description	Repair Cartridge	Part Number	Description	Repair Cartridge
	1/4	1/4	480630C	R050P	481323C	480629C	L050P	481322C
	3/8	3/8	480632C	R150P	481325C	480631C	L150P	481324C
	1/2	1/2	480198C	R250P	481204C	480197C	L250P	481203C
	3/4	3/4	480247C	R350P	481208C	480246C	L350P	481207C
	1	1	430111C	R450P-8	471882C	430110C	L450P-8	471881C
	1-1/4	1-1/4	440581C	R9550P	471665C	440580C	L9550P	471664C
	1-1/2	1-1/2	440165C	R9650P	471575C	440164C	L9650P	471576C
	2	2	440469C	R9750P	471716C	440468C	L9750P	471715C
2-1/2	2-1/2	440577C	R9850P	471718C	440576C	L9850P	471717C	
3	3	440505C	R9950P	471720C	440504C	L9950P	471719C	

9000G SERIES HIGH TEMPERATURE ROTARY UNIONS • DUAL FLOW

PART NUMBERS	Nominal Pipe Size	Shaft Thread (A)	Right Hand Thread			Left Hand Thread		
			Part Number	Description	Repair Cartridge	Part Number	Description	Repair Cartridge
	1/2	1/2	480204C	R250S	481204C	480203C	L250S	481203C
	3/4	3/4	480253C	R350S	481208C	480252C	L350S	481207C
	1	1	430113C	R450S-8	471882C	430112C	L450S-8	471881C
	1-1/4	1-1/4	440583C	R9550S	471665C	440582C	L9550S	471664C
	1-1/2	1-1/2	440167C	R9650S	471575C	440166C	L9650S	471576C
	2	2	440471C	R9750S	471716C	440470C	L9750S	471715C
	2-1/2	2-1/2	440579C	R9850S	471718C	440578C	L9850S	471717C
	3	3	440507C	R9950S	471720C	440506C	L9950S	471719C

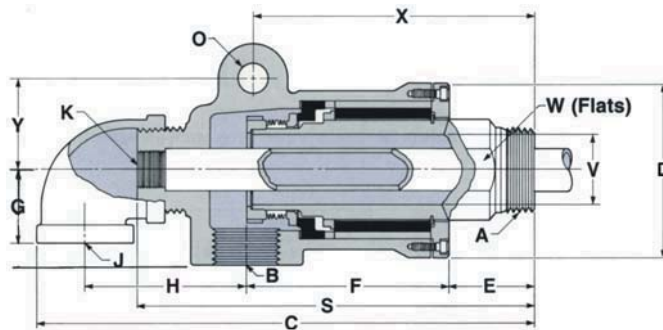
Mono Flow



9000G SERIES HIGH TEMPERATURE ROTARY UNIONS • MONO FLOW (in.)

Nominal Pipe Size	Shaft Thread (A)	Right Hand Thread		Left Hand Thread		Inlet Thread (B)	C	D	E	F	G	O	V	W	X	Y		
		Part Number	Description	Repair Cartridge	Part Number												Description	Repair Cartridge
1/4	1/4	480630C	R050P	481323C	480629C	L050P	481322C	1/4	4-3/8	1-3/4	1-1/8	2-9/16	1-1/16	—	1/4	5/8	—	—
3/8	3/8	480632C	R150P	481325C	480631C	L150P	481324C	3/8	4-3/8	1-3/4	1-1/8	2-9/16	1-1/16	—	3/8	11/16	—	—
1/2	1/2	480198C	R250P	481204C	480197C	L250P	481203C	1/2	5	2-3/8	1-1/2	2-3/4	1-1/4	—	1/2	15/16	—	—
3/4	3/4	480247C	R350P	481208C	480246C	L350P	481207C	3/4	5-1/2	2-1/2	1-5/8	3	1-7/16	—	3/4	1-3/32	—	—
1	1	430111C	R450P-8	471882C	430110C	L450P-8	471881C	1	6-1/8	3	1-3/4	3-3/8	1-3/4	—	1	1-11/32	—	—
1-1/4	1-1/4	440581C	R9550P	471665C	440580C	L9550P	471664C	1-1/4	9-1/16	3-3/4	2-1/16	4-13/16	2-3/16	5/8	1-1/4	1-11/16	6-7/8	2
1-1/2	1-1/2	440165C	R9650P	471575C	440164C	L9650P	471576C	1-1/2	9-11/16	4-1/8	2-3/16	5-1/4	2-3/16	5/8	1-1/2	1-15/16	7-3/8	2-1/4
2	2	440469C	R9750P	471716C	440468C	L9750P	471715C	2	11-3/4	5-7/8	2-7/16	6-7/16	2-5/8	5/8	2	2-9/16	8-9/16	2-3/4
2-1/2	2-1/2	440577C	R9850P	471718C	440576C	L9850P	471717C	2-1/2	15-3/8	7-1/8	3-1/2	7-3/16	3-3/8	—	2-1/2	3	—	—
3	3	440505C	R9950P	471720C	440504C	L9950P	471719C	3	15-3/4	7-1/8	3-7/8	8-5/16	3-7/8	—	3	3-5/8	—	—

Dual Flow



9000G SERIES HIGH TEMPERATURE ROTARY UNIONS • DUAL FLOW (in.)

Nominal Pipe Size	Shaft Thread (A)	Inlet (B)	Outlet (J)	Siphon K (NPSM)	C	D	E	F	G	H	O	S	V	W	X	Y
3/4	3/4	3/4	1/2	1/4	7-3/4	2-1/2	1-5/8	3	1-7/16	2-3/8	—	6-3/8	3/4	1-3/32	—	—
1	1	1	1/2	3/8	8-1/2	3	1-3/4	3-3/8	1-3/4	2-5/8	—	7-1/8	1	1-11/32	—	—
1-1/4	1-1/4	1-1/4	1/2	1/2	10-5/8	3-3/4	2-1/8	4-13/16	2	3	5/8	8-7/8	1-1/4	1-11/16	6-7/8	2
1-1/2	1-1/2	1-1/2	3/4	3/4	11-3/8	4-1/8	2-3/16	5-1/4	2-3/16	3-1/4	5/8	9-9/16	1-1/2	1-15/16	7-3/8	2-1/4
2	2	2	1	3/4	13-7/8	5	2-7/16	6-1/2	2-5/8	4-1/16	5/8	11-1/2	2	2-9/16	8-9/16	2-3/4
2-1/2	2-1/2	2	1-1/4	1	16-7/8	6-1/2	3-1/2	7-1/4	3-3/8	5	—	14	2-1/2	3	—	—
3	3	2-1/2	1-1/4	1-1/4	18-3/4	7-1/8	3-1/2	8-5/16	3-7/8	5-1/2	—	15-5/8	3	3-5/8	—	—

Performance Charts

