

# 805 SERIES

## GENERAL PURPOSE



### Operating Parameters

#### MEDIA

Air, Hydraulic Fluid, Water,  
Non-Toxic Gasses, Oil

#### PRESSURE\*

435 PSI

#### TEMPERATURE\*

320° F

#### SPEED\*

5,000 RPM

#### THREADS

- 1/4" to 1" NPT
- MT & Metric
- BSP & BSPP Available

#### MATERIAL

Aluminum Housing With A  
Stainless Steel Shaft. Also  
Available In All Stainless Steel  
Construction.

#### CONFIGURATION OPTIONS

Mono Flow and Dual Flow  
Configurations Available

\* See Performance Charts For Details

## Features & Benefits

### Flexible

Suitable for a wide range of applications.

### Mono Flow Models

Offered in sizes 1/4" to 1".

### Dual Flow Models

Offered in sizes 1/2" to 1".

### Seal Options

Two seal options are offered:

#### ■ Seal Option E1 (Standard)

The carbon graphite seal ring against ceramic face ring design can be used at pressures up to 435 psi.

#### ■ Seal Option E2 (Consult Factory)

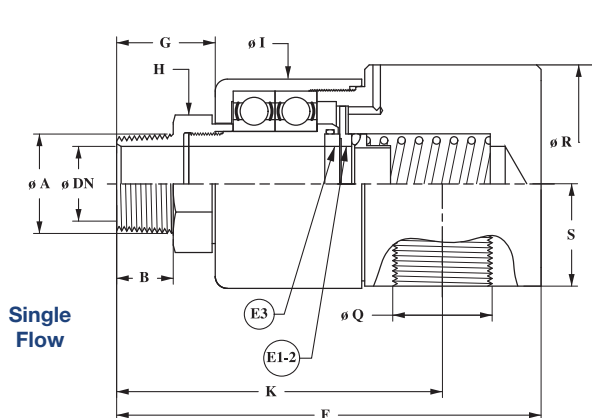
The stainless steel seal ring against ceramic face ring design can be used at pressures up to 725 psi.

## 805 SERIES ROTARY UNION • MONO FLOW

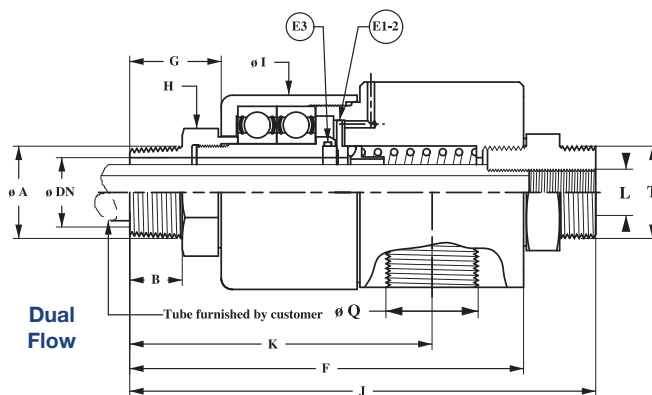
PART NUMBERS	Nominal Pipe Size	Shaft Thread (A)	Right Hand		Left Hand	
			Part Number	Description	Part Number	Description
PART NUMBERS	1/4	1/4 NPT	<b>760150C</b>	R813SR5NPT	<b>760155C</b>	L813SR5NPT
		1/4 BSP	<b>760152C</b>	R813SR5BSP	<b>760157C</b>	L813SR5BSP
		1/4 BSPP	<b>760153C</b>	R813SR5BSPP	<b>760158C</b>	L813SR5BSPP
		5/8-18 UNF	<b>760151C</b>	R813SR5UNF	<b>760156C</b>	L813SR5UNF
		M14xP1.5	<b>760154C</b>	R813SR5M	<b>760159C</b>	L813SR5M
	3/8	3/8 NPT	<b>760170C</b>	R817SR5NPT	<b>760175C</b>	L817SR5NPT
		3/8 BSP	<b>760172C</b>	R817SR5BSP	<b>760177C</b>	L817SR5BSP
		3/8 BSPP	<b>760173C</b>	R817SR5BSPP	<b>760178C</b>	L817SR5BSPP
		5/8-18 UNF	<b>760171C</b>	R817SR5UNF	<b>760176C</b>	L817SR5UNF
		M16xP1.5	<b>760174C</b>	R817SR5M	<b>760179C</b>	L817SR5M
	1/2	1/2 NPT	<b>760190C</b>	R821SR5NPT	<b>760195C</b>	L821SR5NPT
		1/2 BSP	<b>760192C</b>	R821SR5BSP	<b>760197C</b>	L821SR5BSP
		1/2 BSPP	<b>760193C</b>	R821SR5BSPP	<b>760198C</b>	L821SR5BSPP
		3/4-16 UNF	<b>760191C</b>	R821SR5UNF	<b>760196C</b>	L821SR5UNF
		M22xP1.5	<b>760194C</b>	R821SR5M	<b>760199C</b>	L821SR5M
	3/4	3/4 NPT	<b>760210C</b>	R827SR5NPT	<b>760215C</b>	L827SR5NPT
		3/4 BSP	<b>760212C</b>	R827SR5BSP	<b>760217C</b>	L827SR5BSP
		3/4 BSPP	<b>760213C</b>	R827SR5BSPP	<b>760218C</b>	L827SR5BSPP
		1-1/16-12 UNF	<b>760211C</b>	R827SR5UNF	<b>760216C</b>	L827SR5UNF
		M25xP1.5	<b>760214C</b>	R827SR5M	<b>760219C</b>	L827SR5M
1	1 NPT	<b>760230C</b>	R834SR5NPT	<b>760235C</b>	L834SR5NPT	
	1 BSP	<b>760232C</b>	R834SR5BSP	<b>760237C</b>	L834SR5BSP	
	1 BSPP	<b>760233C</b>	R834SR5BSPP	<b>760238C</b>	L834SR5BSPP	
	1-1/2-12 UNF	<b>760231C</b>	R834SR5UNF	<b>760236C</b>	L834SR5UNF	
	M35xP1.5	<b>760234C</b>	R834SR5M	<b>760239C</b>	L834SR5M	

## 805 SERIES ROTARY UNION • DUAL FLOW

PART NUMBERS	Nominal Pipe Size	Shaft Thread (A)	Right Hand Thread		Left Hand Thread	
			Part Number	Description	Part Number	Description
PART NUMBERS	1/2	1/2 NPT	<b>760250C</b>	R921SR5NPT	<b>760255C</b>	L921SR5NPT
		1/2 BSP	<b>760252C</b>	R921SR5BSP	<b>760257C</b>	L921SR5BSP
		1/2 BSPP	<b>760253C</b>	R921SR5BSPP	<b>760258C</b>	L921SR5BSPP
		3/4-16 UNF	<b>760251C</b>	R921SR5UNF	<b>760256C</b>	L921SR5UNF
		M22xP1.5	<b>760254C</b>	R921SR5M	<b>760259C</b>	L921SR5M
	3/4	3/4 NPT	<b>760270C</b>	R927SR5NPT	<b>760275C</b>	L927SR5NPT
		3/4 BSP	<b>760272C</b>	R927SR5BSP	<b>760277C</b>	L927SR5BSP
		3/4 BSPP	<b>760273C</b>	R927SR5BSPP	<b>760278C</b>	L927SR5BSPP
		1-1/16-12 UNF	<b>760271C</b>	R927SR5UNF	<b>760276C</b>	L927SR5UNF
		M25xP1.5	<b>760274C</b>	R927SR5M	<b>760279C</b>	L927SR5M
	1	1 NPT	<b>760290C</b>	R934SR5NPT	<b>760295C</b>	L934SR5NPT
		1 BSP	<b>760292C</b>	R934SR5BSP	<b>760297C</b>	L934SR5BSP
		1 BSPP	<b>760293C</b>	R934SR5BSPP	<b>760298C</b>	L934SR5BSPP
		1-1/2-12 UNF	<b>760291C</b>	R934SR5UNF	<b>760296C</b>	L934SR5UNF
		M35xP1.5	<b>760294C</b>	R934SR5M	<b>760299C</b>	L934SR5M



Single Flow



Dual Flow

805 SERIES ROTARY UNION • MONO FLOW (in.)											
Nominal Pipe Size	Shaft Thread (A)	Inlet Thread (Q)*	Shaft Thread Length (B)	DN	F	G	H	I	K	R	S
1/4	1/4 NPT	NPT	.43	.31	3.14	.74	.86	1.49	2.55	1.73	.76
	1/4 BSP	BSP									
	1/4 BSPP	BSPP			3.42	.82			2.71		
	5/8-18 UNF	NPT									
M14xP1.5	BSP	.43	.39	1.02	1.65	2.91	1.81	.78			
3/8 NPT	NPT								3.42	.82	2.71
3/8 BSP	BSP										
3/8 BSPP	BSPP								3.42	.82	2.71
5/8-18 UNF	NPT	3.62	1.02	2.91							
M16xP1.5	BSP				.55	.55	1.25	2.16	3.38	2.36	1.02
1/2 NPT	NPT	4.17	.98	3.38							
1/2 BSP	BSP										
1/2 BSPP	BSPP	4.17	.98	3.38							
3/4-16 UNF	NPT				4.37	1.18	3.58				
M22xP1.5	BSP	.62	.78	1.37				2.48	3.74	2.91	1.29
3/4 NPT	NPT				4.80	1.10	3.74				
3/4 BSP	BSP										
3/4 BSPP	BSPP				4.80	1.10	3.74				
1-1/16-12 UNF	NPT	5.19	1.49	4.13							
M25xP1.5	BSP				.74	.98	1.61	2.75	4.25	3.14	1.33
1 NPT	NPT	5.59	1.22	4.25							
1 BSP	BSP										
1 BSPP	BSPP	5.59	1.22	4.25							
1-1/2-12 UNF	NPT				5.98	1.61	4.64				
M35xP1.5	BSP	.70	.98	1.61				2.75	4.64	3.14	1.33

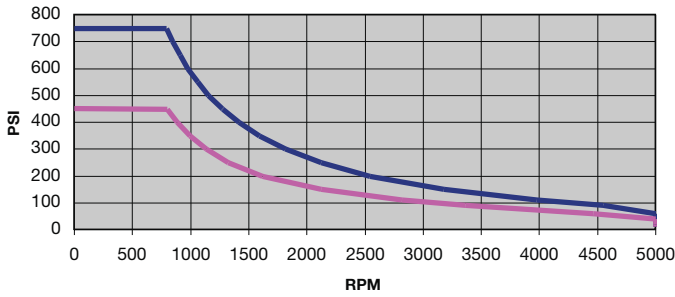
\* All inlet threads are right hand threads

805 SERIES ROTARY UNION • DUAL FLOW (in.)															
Nominal Pipe Size	Shaft Thread (A)	Inlet Thread (Q)*	Shaft Thread Length (B)	DN	F	G	H	I	J	K	L (NPT)	R	S	T (NPT)	
															DIMENSIONS
1/2	1/2 NPT	NPT	.55	.55	4.17	.98	1.25	2.16	5.23	3.38	1/8	2.36	1.02	.50	
	1/2 BSP	BSP													4.37
	1/2 BSPP	BSPP			4.37	1.18			5.43	3.58					
	3/4-16 UNF	NPT													4.80
M22xP1.5	BSP	.62	.78	1.37	2.48	6.33	4.13	1/4	2.91	1.29	.75				
3/4 NPT	NPT											4.80	1.10	5.94	3.74
3/4 BSP	BSP														
3/4 BSPP	BSPP											4.80	1.10	5.94	3.74
1-1/16-12 UNF	NPT	5.19	1.49	6.33	4.13										
M25xP1.5	BSP					.74	.98	1.61	2.75	6.85	4.25	3/8	3.14	1.33	1
1 NPT	NPT	5.59	1.22	6.85	4.25										
1 BSP	BSP														
1 BSPP	BSPP	5.59	1.22	6.85	4.25										
1-1/2-12 UNF	NPT					5.98	1.61	7.24	4.64						
M35xP1.5	BSP	.70	.98	1.61	2.75					7.24	4.64				

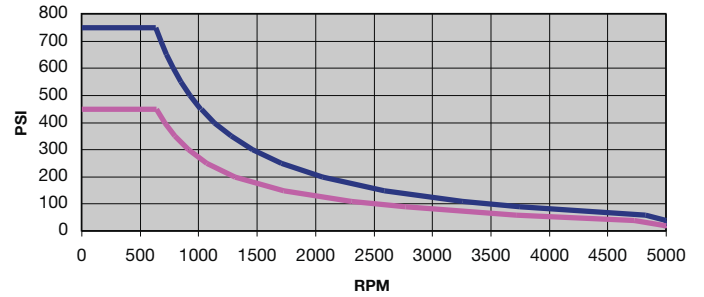
\* All inlet threads are right hand threads

## Performance Charts

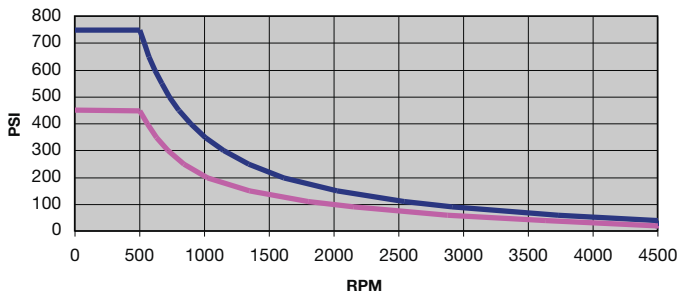
1/4"



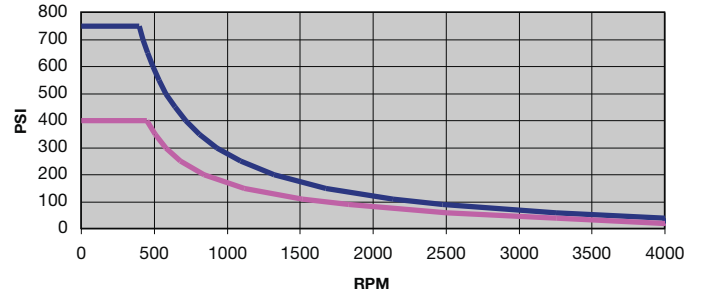
3/8"



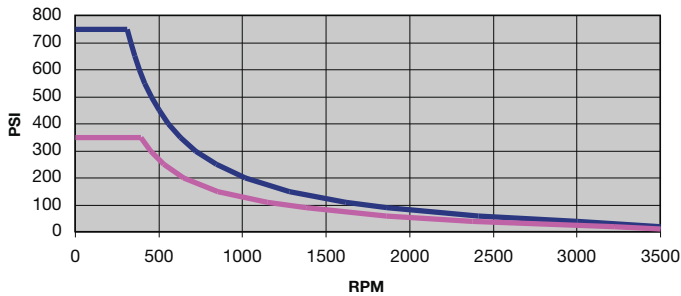
1/2"



3/4"



1"



Stainless Steel  
 Standard Materials