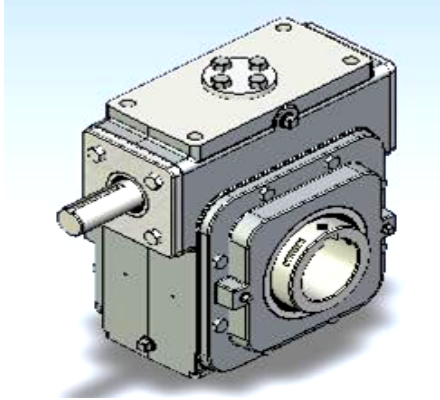


SINGLE AXIS SOLAR TRACKING WORM GEAR



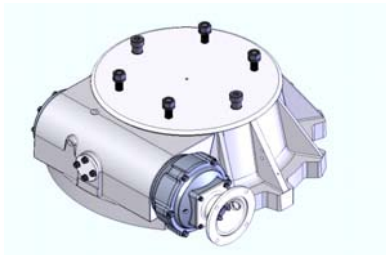
Product Under Development

Ratings are for preliminary selection - actual duty cycle and loads should be reviewed by Winsmith before final selection

Product Model (1)	Worm Gear Center Distance	Ratio (3) (4)	Normal Operating Torque	Max Operating Torque	Max Static Torque	Max Overturning Moment	Static Axial Load Capacity	Static Radial Load Capacity	Standard Maximum Backlash	Low Maximum Backlash	Mounting Dimensions	
											in lbs	in lbs
SST20	2.00"	40:1	1,504	3,081	5664	CF	CF	CF	12	3	4.38	1.75
SST24	2.38"	40:1	2,348	4,808	9,338	CF	CF	CF	11	3	4.38	2.25
SST26	2.63"	40:1	3,151	6,453	12,586	CF	CF	CF	11	3	4.88	2.25
SST30	3.00"	40:1	4,533	9,283	18,655	CF	CF	CF	10	3	5.50	2.63
SST35	3.50"	40:1	6,743	13,808	31,491	CF	CF	CF	10	3	6.50	2.63
SST43	4.25"	40:1	10,310	21,113	55,482	CF	CF	CF	9	3	7.50	3.25
SST100 (2)	10.00"	18,000:1	115,000	350,000	1,000,000	1,730,000	CF	CF	3	3	(2)	(2)

CF Contact Factory

- (1) Many other configurations available based on the Winsmith SE Encore product line - check factory
- (2) Special version available



Outside bolt circle 26.50" (673.1)
 Inside bolt circle 14.00" (355.6)

- (3) Ratios up to 240,000:1 available with additional input reduction stages
- (4) Unit will not backdrive under most conditions

DISCLAIMER - This information is intended to provide general guidance to assist in making the proper product selection for an application. While this information is believed to be accurate, it is based on assumptions, calculations, information provided by others and, in some cases, not limited and specific laboratory tests, and on actual field conditions or applications. As such, it does not represent a guarantee with respect to characteristics or performance of the product in any given application or use. Winsmith products are intended for selection and use by trained and skilled persons capable of determining their suitability for the specific application or use. The purchaser or user is obligated to determine the suitability of products for the application or use. This information is subject to correction or change by Winsmith without notice. Please consult the Winsmith website for most recent updates